

Programmes After Market Services NSD-5 Series Transceivers

11. Accessories

Contents

	Page No
Standard Battery BLB-2.....	5
AC Travel Charger (ACP-7U)	6
Desktop Battery Charger DDC-1	7
Cigarette Lighter Charger (LCH-9)	8
Personal Handsfree HDC-5	9
Clip-on Kit SKB-2	10

Standard Battery BLB-2

The BLB-2 is a Li-ion battery with 750 mAh capacity in white plastic package..



Product Code

Standard Battery BLB-2: 0670322

AC Travel Charger (ACP-7U)

The standard charger can be used as a power supply for the desktop stand.

View of AC Travel Charger



Product Code

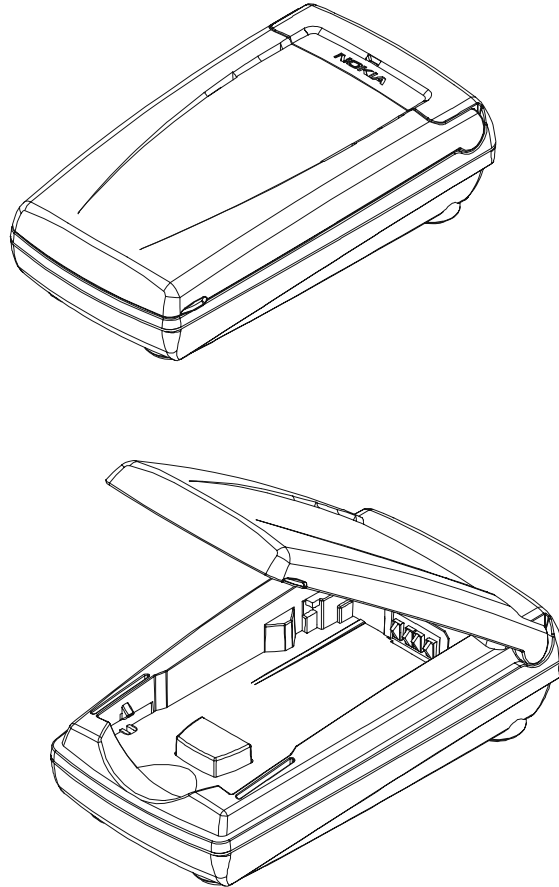
AC Travel Charger (US plug) 108-132 Vac ACP-7U: 0675143

Specifications

Output connectors:	<i>3.5 mm DC plug, 2-pole</i>
Protection:	PTC protection
Output Voltage /Current (typ):	3.7V / 350mA

Desktop Battery Charger DDC-1

The Spare Battery Charger provides a mounting place for charging battery with the transceiver..



Product Code

Desktop Battery Charger DDC-1: 0675243

Cigarette Lighter Charger (LCH-9)

The LCH-9 provides charging using the automobile cigarette lighter socket.

Product Code

Cigarette lighter charger LCH-9 0675120

View of Cigarette Lighter Charger



Specifications

Connectors

- input:: *D 21/23 mm*
- output:: *3.5 mm DC plug*

Protection: *input fused, output current limit 850 mA*

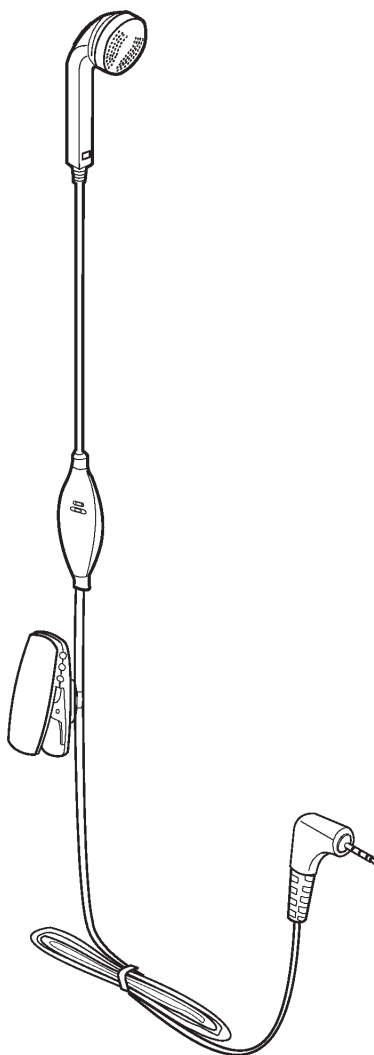
Voltage

- input: *11...32 V*
- output (nominal): *8.4 V*

Nominal output current: *800 mA*

Personal Handsfree HDC-5

The HDC-5 headset provides a hook switch for the phone/microphone.

**Product Code**

Personal Handsfree HDC-5:

0694059

Clip-on Kit SKB-2

The pocket clip provides an option for carrying the phone. The clip is integrated to a B-cover.



Product Code

Pocket Clip SKB-2: 0700071

Package includes:

Button for SKB-2 3 pcs

Screw 3 pcs

Mounting rubber for SKB-2 3 pcs

Pocket Clip SKB-2 1 pc



Button for SKB-2